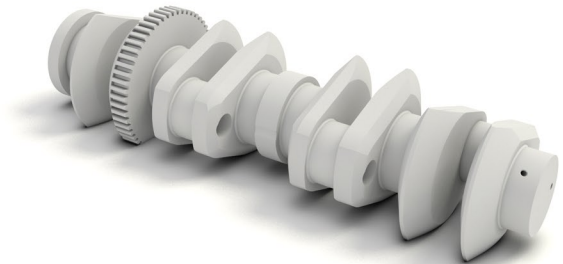


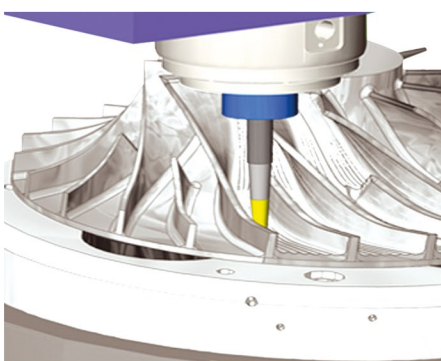


5-Axis Component

An Industry proven CAD/CAM Software Component for High Quality 5-Axis Machining used by more than 60% of the World's leading CAM Vendors.



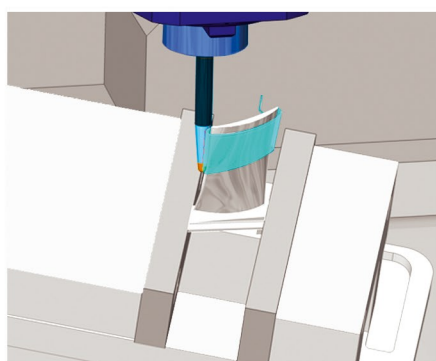
To request a 30 minute online Demonstration, email your preferred Time and Date to:
5AxisDemonstration@moduleworks.com



Key Benefits

- State of the Art Technology
- Proven in day-to-day use with 10,000's of customers
- Reduced Time to Market
- Cost effective to implement

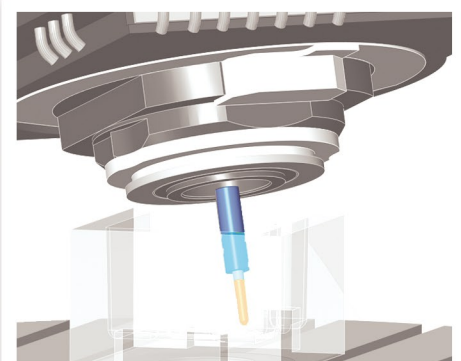
Image: Impeller Machining



Basics

- Tool Types – sphere, bull, endmill, taper, lollipop
- Holders – Flute, Shaft, Arbor, Holder
- Input – Solid/STL Mesh, NURB Surfaces, DXF-Style Boundary Data
- Output – CL-Style Toolpath
- Toolpath Output all Machine Types – Table/Table, Table/Head, Head/Head

Image: 5-Axis Finishing



Machining Highlights

- NURB Surfaces, STL Mesh or Wire-Frame Geometry
- Multi-Pass Roughing Techniques
- SWARF Machining for Side Wall Machining
- 3- to 5-Axis Toolpath Conversion
- 4-Axis Rotary Machining
- Strategies for Blade, Blisk and Impeller Machining
- Machining Direction for 3+2-Axis Machining

Image: 3- to 5-Axis Conversion

Roughing

- Multi-Pass Roughing Z- or XY Cut Increments
- Adaptive Roughing automatically chooses best Entry, Exit and Link Strategies
- Automatic Collision Avoidance
- Support for 3D Stock Mode to minimize Air Cutting and optimize Feedrate
- Multi-Axis Plunge Roughing



Image: 5-Axis Roughing

Finishing

- SWARF Machining for Side Wall Machining
- Flowline Cutting for Blade Machining
- Geodesic Machining to Machine Undercuts, including Morph and Spiral Options
- Tool Axis Control based on Machine Limits
- Full Cusp Height Control
- Gouge and Collision Free Leads/Links/Retracts

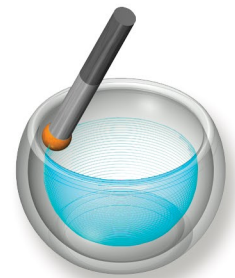


Image: 5-Axis Finish Machining

Advanced Finishing

- Fast, automated Machining Strategies for complex Components, e.g.
 - Blades
 - Impellers
 - Blisks
 - Automotive Ports
- 3-5 Axis Conversion (3-Axis Toolpaths may be provided by Host System or ModuleWorks' 3-Axis Machining Component)

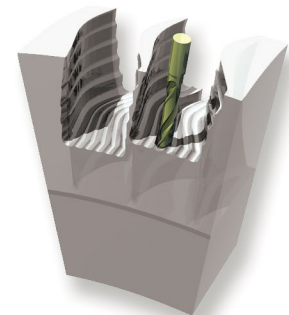
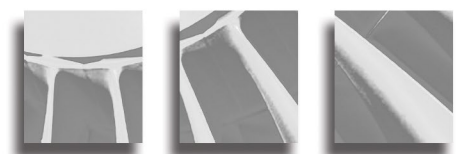


Image: Machined Blisk

Related Products

For information on other CAD/CAM components, including simulation and 3-axis toolpaths, visit: www.moduleworks.com



ModuleWorks GmbH
Aachen, Germany
Tel: +49 241 99 000 40
info@moduleworks.com
www.moduleworks.com

Tecnolinc Limited
Aichi, Japan
Tel: +81 568 62 9119
toiawase@tecnolinc.com
www.tecnolinc.com



Sign up for our Newsletter at:
www.moduleworks.com

