

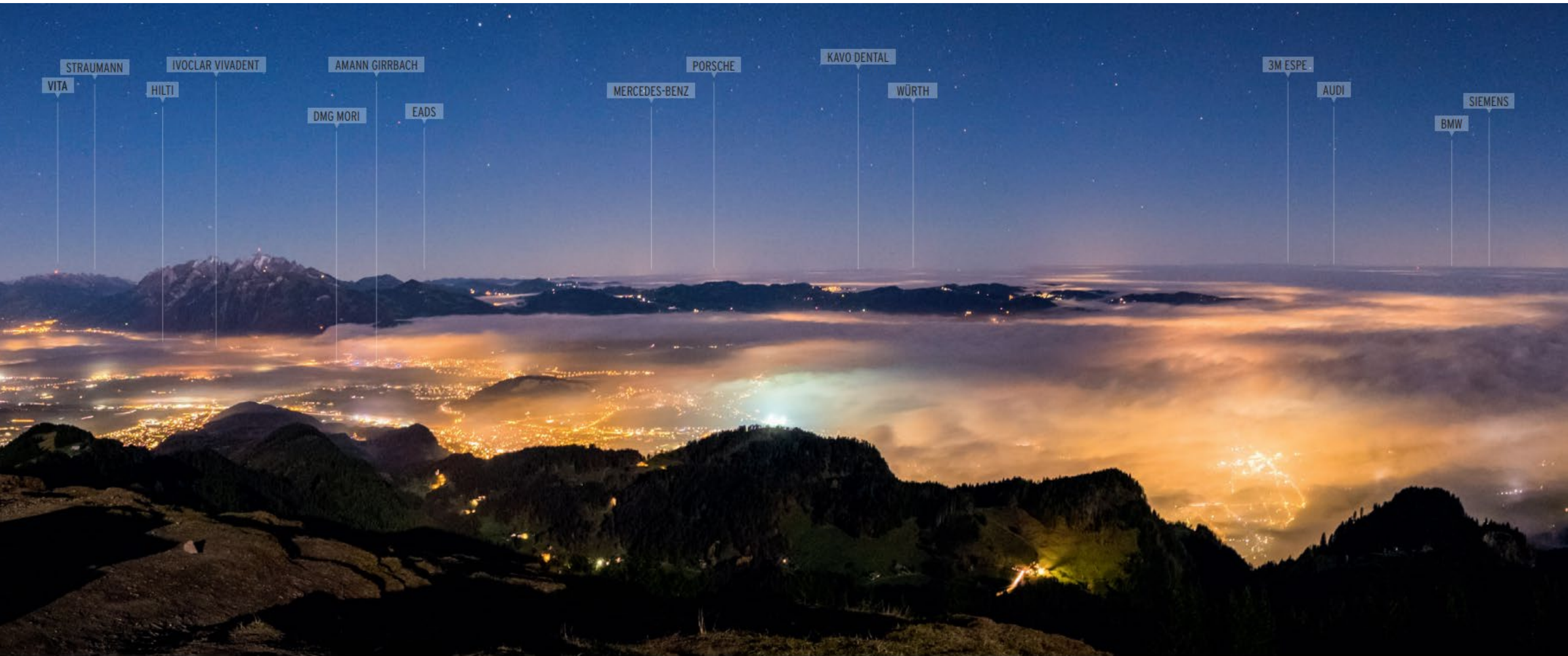


AMANNGIRRBACH

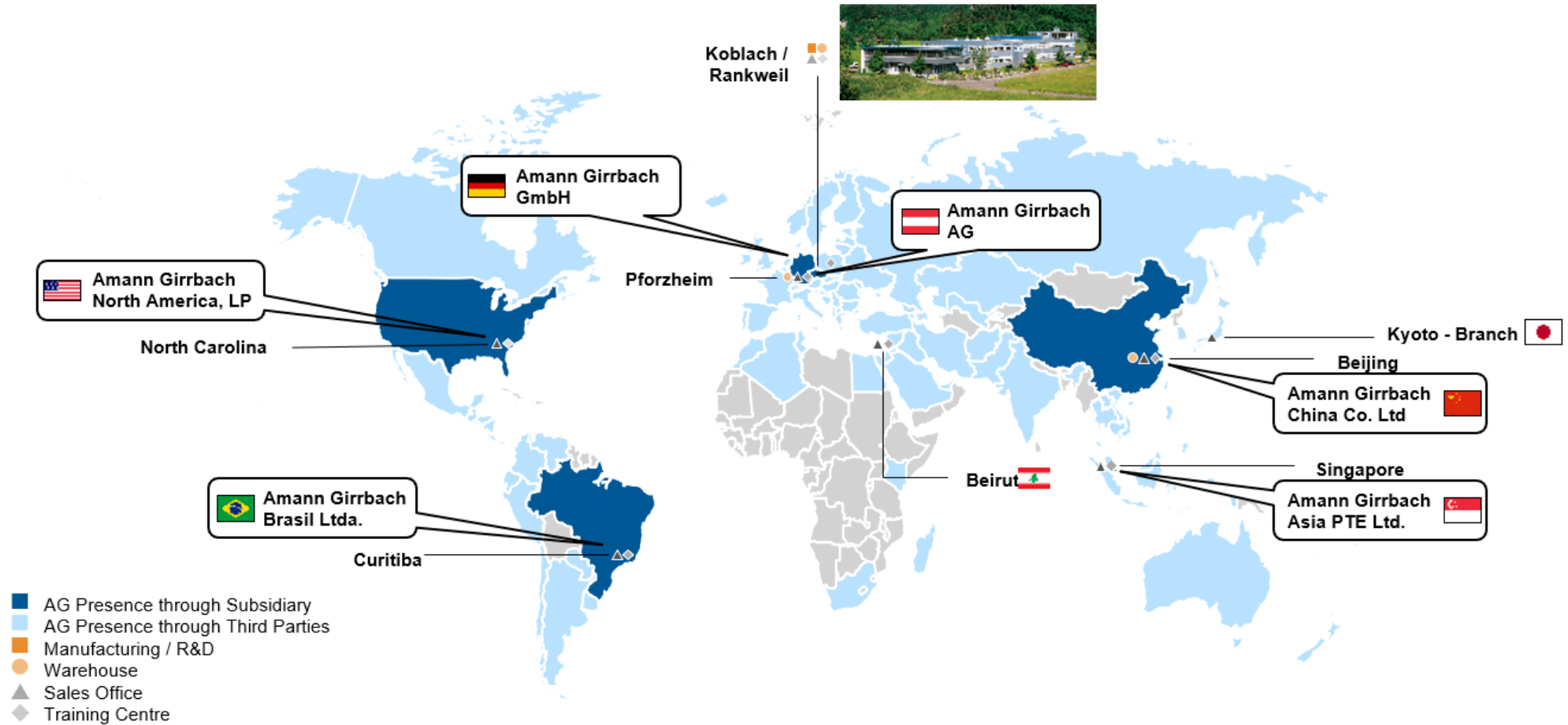
Open discussion about the presentation outline and title

1. Introduction about AG company
2. Product portfolio as closed-system concept (CAD/CAM eco-system)
3. Integrated workflow from IO scanning, CAD wizard, CAM wizard, CNC CS (Storyline: Chair-Side patient)
4. MATIK Machine features incl. Outlook?
5. How Dental Framework as Automated Dental CAM Framework helps AG to provide integrated process in Digital Dentistry?
 - › CAM Automation
 - › Templating
 - › Configuration for the AG product portfolios
 - › Dedicated support team for Dental (“Dental CAM Engineers”)
 - › MW “toolpath and simulation” technology and “customized development for Dental”
6. AG. Live (Network) → the ‘dental MES/ IOT’

Manage complexity → That’s the key → Relationship AG- MW



ABOUT AMANN GIRRBACH COMPANY



ABOUT AMANN GIRRBACH COMPANY



Merger of two family businesses
founded in 1936 and 1972



Manufacturing of devices
and materials



Products for dental
professionals



>80 % CAD/CAM
related products



>500 employees



40 employees in R&D



>120m sales volume

DENTAL CAD/CAM-PROCESS CHAIN

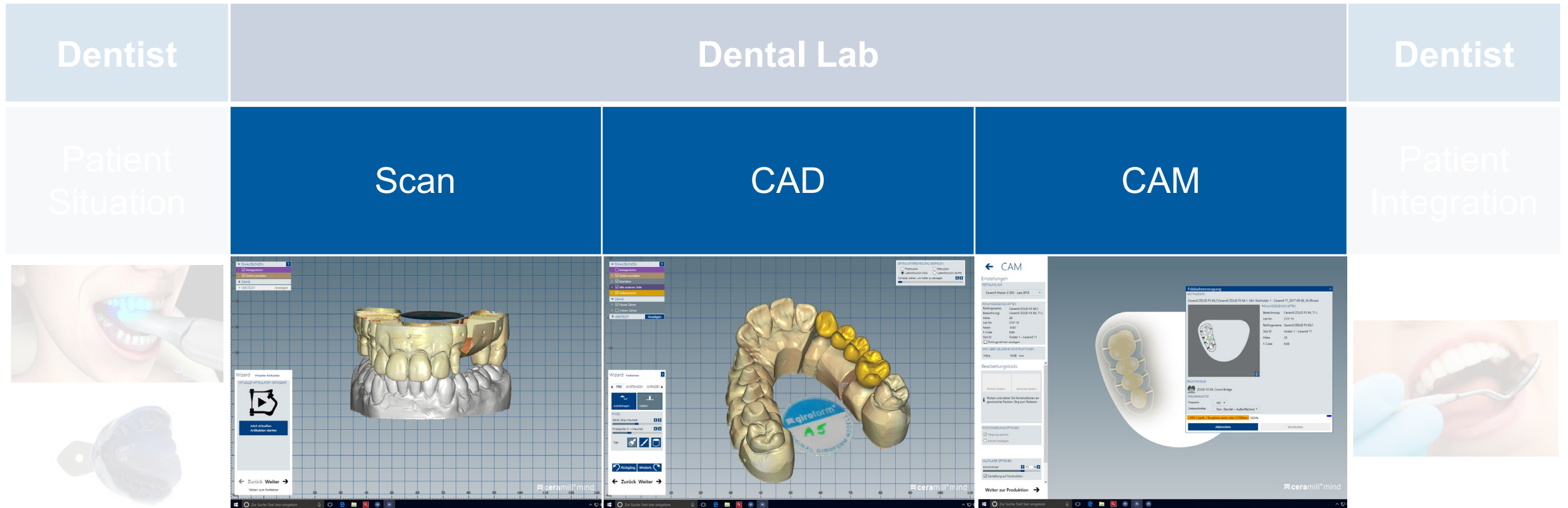


DENTAL CAD/CAM-WORKFLOW

Dentist	Dental Lab					Dentist
Patient Situation	Scan	CAD	CAM	SINTERING	FINISH	Patient Integration

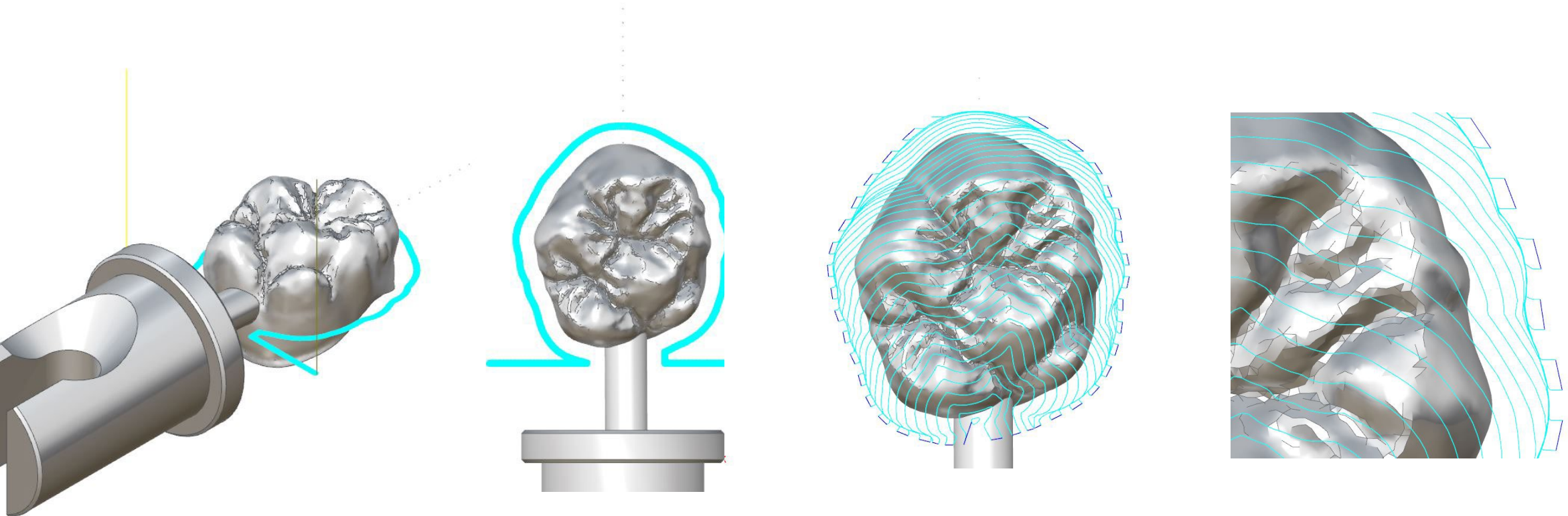


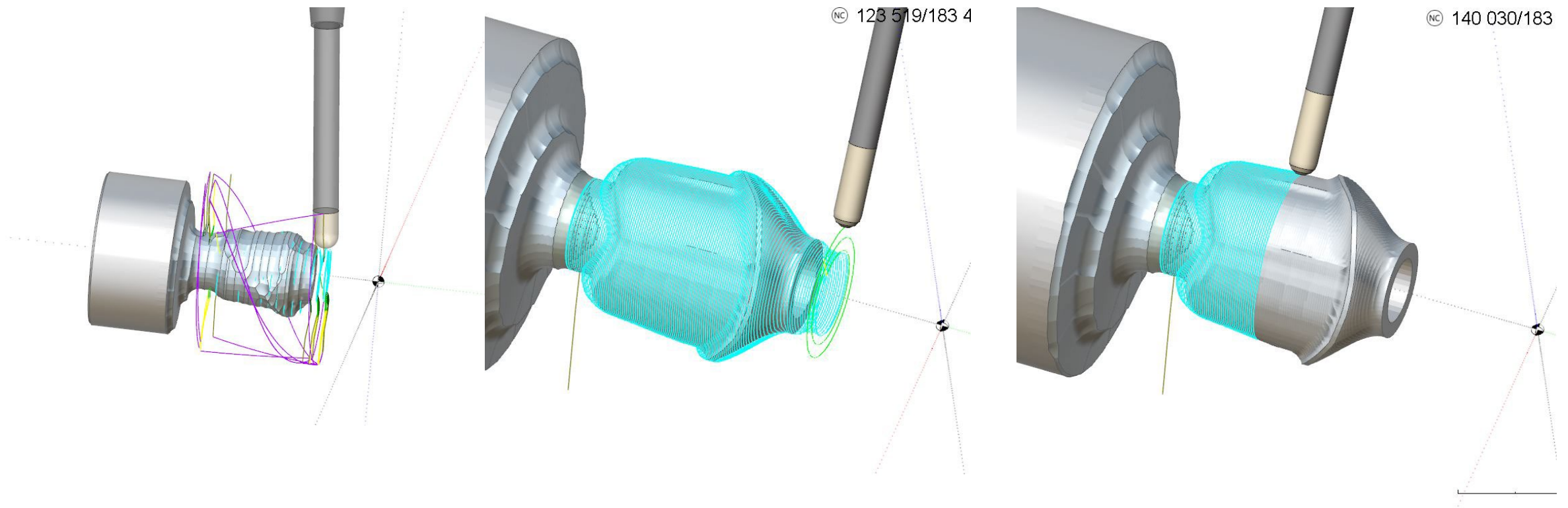
DENTAL CAD/CAM-WORKFLOW



DENTAL COMPLEXITY

- Materials
- Machines
- Customers





Different indication

Each individual

A lot of materials





THANK YOU
for your attention

Falko Noack