



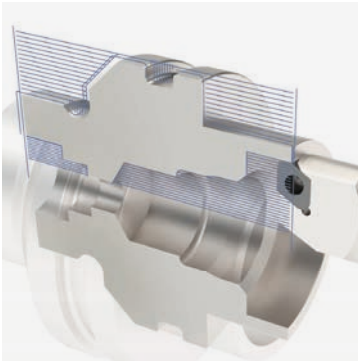
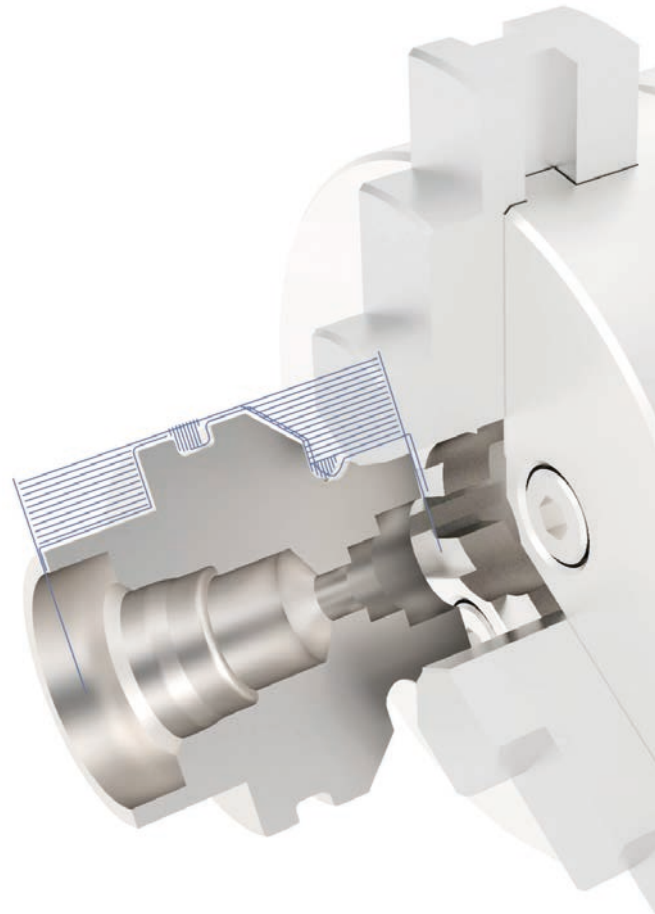
ModuleWorks

Get There Faster.

Turning Component

The ModuleWorks Turning Component provides powerful, efficient, easy-to-use toolpaths for lathes or turn-mill machines. It offers a comprehensive range of toolpaths including facing, roughing, profiling, grooving, cutoff and advanced adaptive roughing and grooving.

Support for parametric and custom toolholders and inserts. The ModuleWorks Turning Component can be combined with 3-Axis, rotary and 5-axis modules to program any complex operations.



External and Internal Roughing

Key Benefits

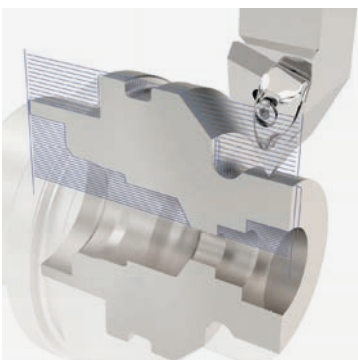
- Easy to use
- Reduced time to market
- Cost-effective implementation
- Broad range of functionality



External and Internal Profile

General Features

- Roughing and finishing operations
- External and internal machining
- Parametric and custom tool support
- Automated holder and insert gouge checking
- Input: DXF-style boundary data
- Output: CL-style toolpath



Traditional Turning Toolpaths

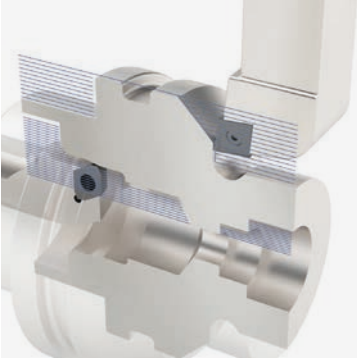
Traditional Turning Toolpaths

- Facing
- Roughing
- Profiling
- Grooving
- Cutoff

Advanced Turning Toolpaths

- Adaptive roughing and grooving
- Additional cycles soon to be launched:
 - Radial turning
 - B-axis turning
 - Face and ID grooving

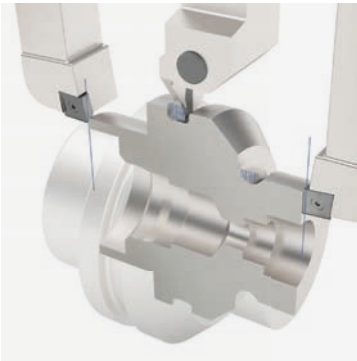
Fact Sheet: Turning Component



External and Internal Roughing with Cusp Removal

Roughing and Profile Turning

- Efficient area clearance
- Straight and radial pattern
- OD and ID turning
- Both holder and insert are considered
- Removal of remaining cusps



Facing and Grooving Toolpaths

Facing

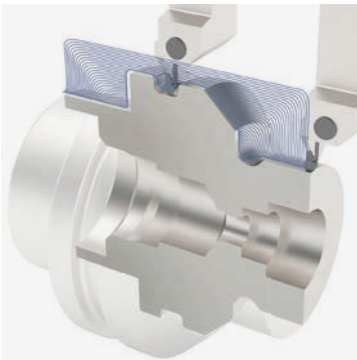
- Multiple cuts
- Customizable cut length

Grooving

- Arbitrary shapes of grooves
- Cutting depth control
- Additional safety retracts

Cut-off

- Cutting-off operation in multiple steps
- Customizable cut length



Adaptive Roughing Turning

Adaptive Roughing and Groove Turning

- Consistent cutting conditions
- Higher feed rates
- Longer tool and machine life
- Reduced machining time

For information on other CAD/CAM components, including 3-axis and 5-axis toolpaths, visit:

www.moduleworks.com



ModuleWorks

ModuleWorks GmbH
Aachen, Germany
Tel: +49 241 99 000 40
info@moduleworks.com
www.moduleworks.com

ModuleWorks Japan
Fujisawa, Japan
Tel: +81 466 54 9144
hashimoto.h@moduleworks.com
www.moduleworks.com



Sign up for our Newsletter at:
www.moduleworks.com